

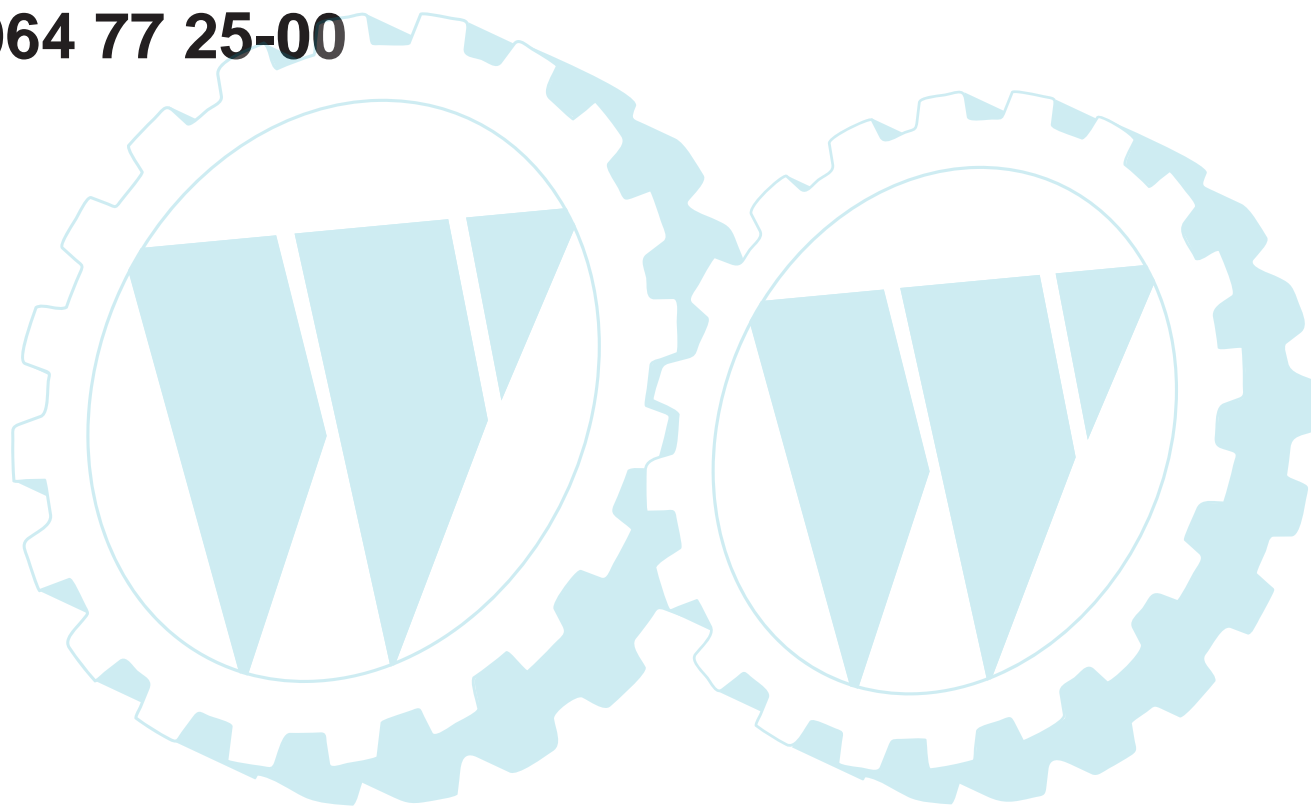
ILLUSTRATED PARTS BREAKDOWN

BERNARD

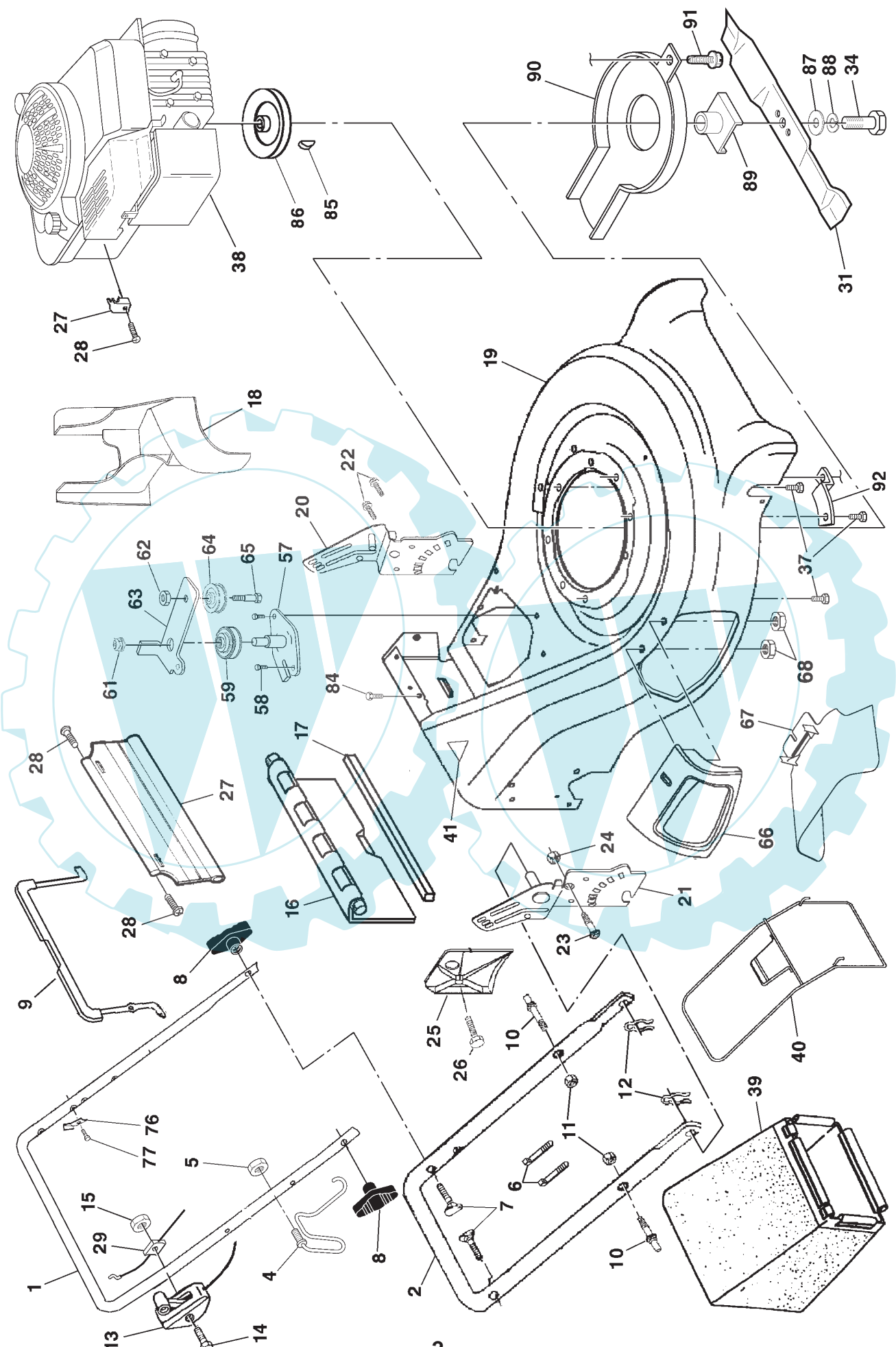
5.5 HP LAWN MOWER

MODEL NO. BL6053T (BL6053TF)

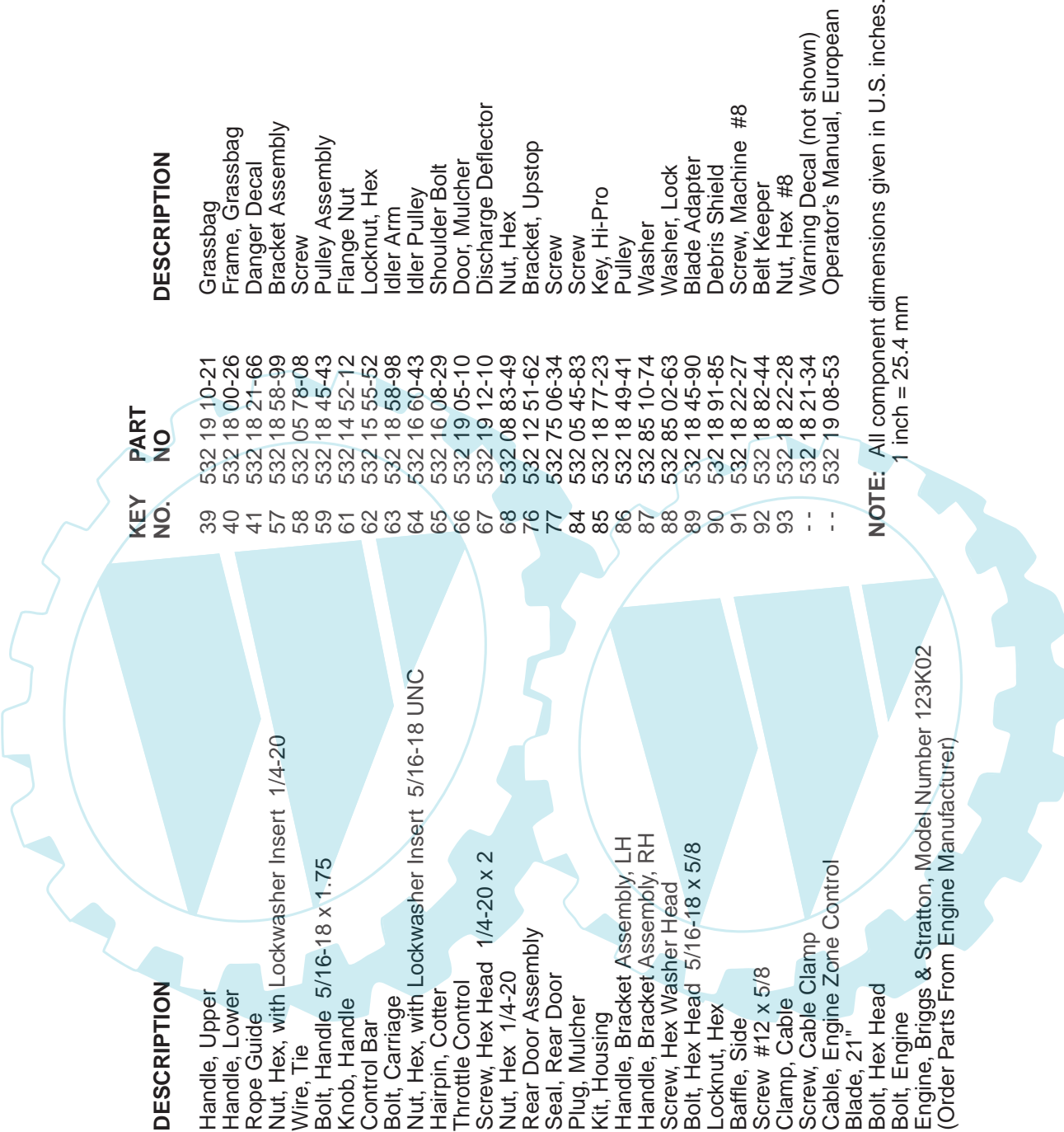
964 77 25-00



ROTARY LAWN MOWER--MODEL NUMBER BL6053T (BL6053TF) PRODUCT NUMBER 964 77 25-00



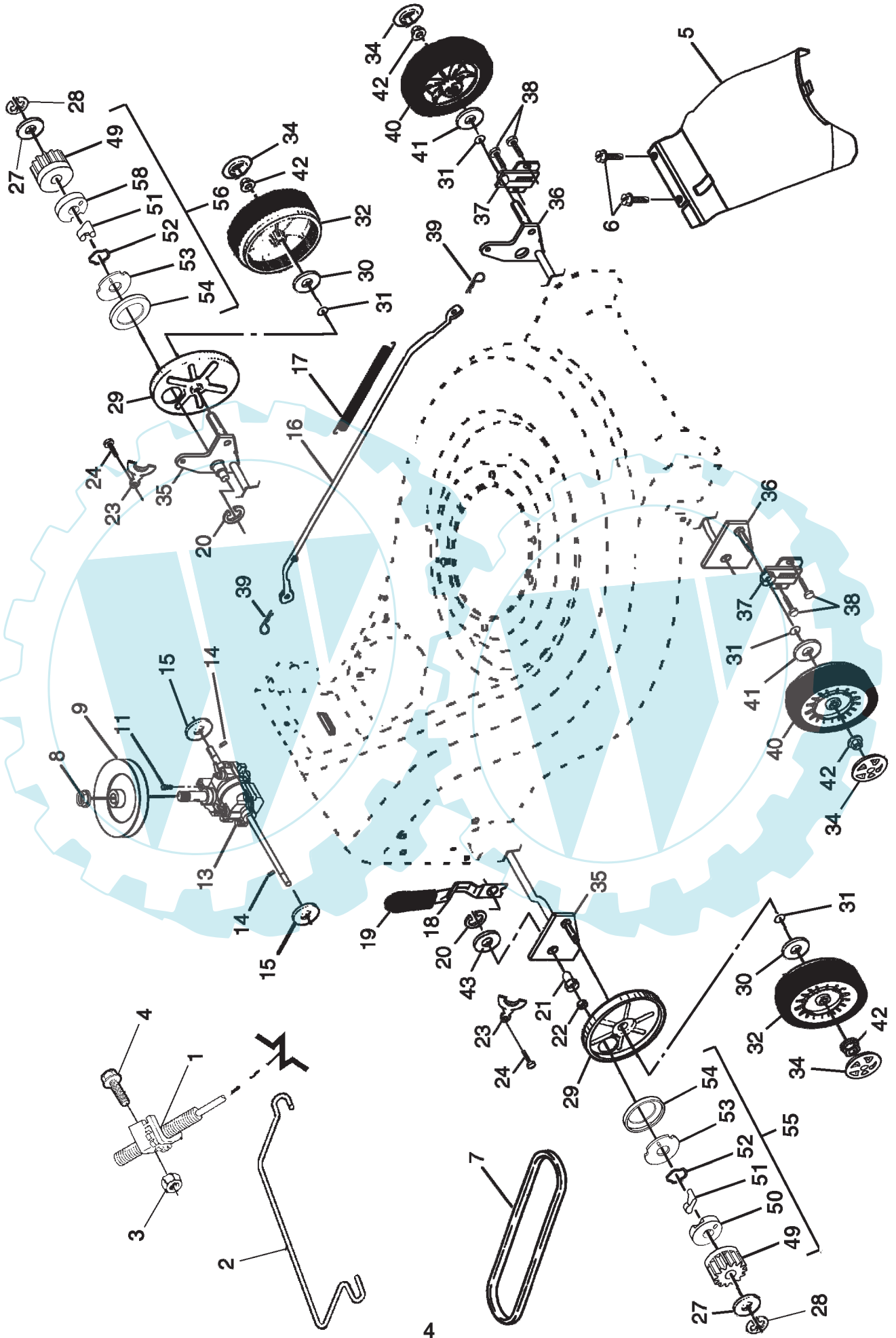
ROTARY LAWN MOWER - MODEL NUMBER BL6053T (BL6053TF) PRODUCT NUMBER 964 77 25-00



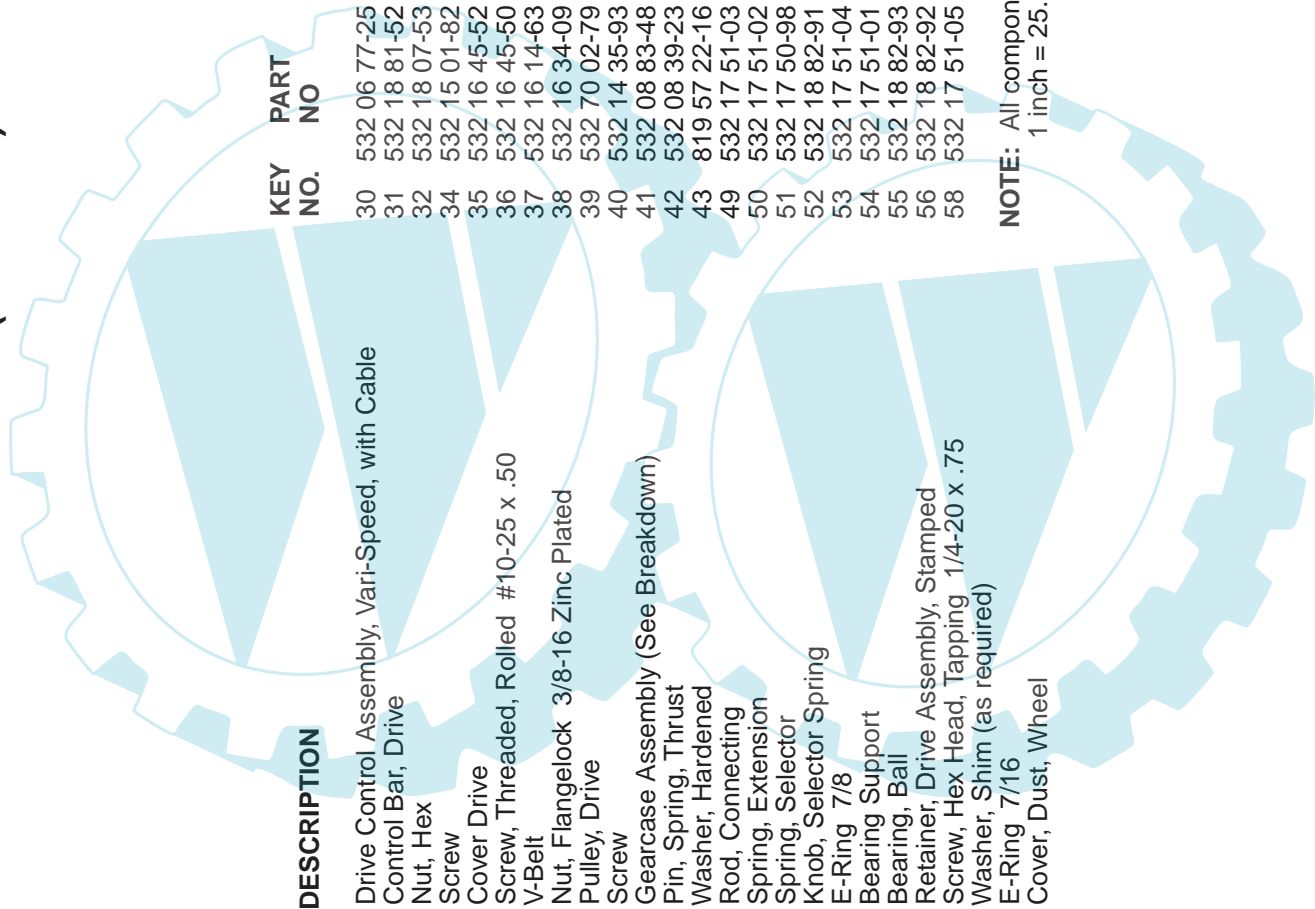
| KEY NO. | PART NO. | DESCRIPTION | KEY NO. | PART NO. | DESCRIPTION |
|---------|---------------------|--|---------|--------------|-----------------------------|
| 1 | 532 19 09-98 | Handle, Upper | 39 | 532 19 10-21 | Grassbag |
| 2 | 532 16 45-56 | Handle, Lower | 40 | 532 18 00-26 | Frame, Grassbag |
| 4 | 532 17 95-85 | Rope Guide | 41 | 532 18 21-66 | Danger Decal |
| 5 | 532 13 20-04 | Nut, Hex, with Lockwasher Insert 1/4-20 | 57 | 532 18 58-99 | Bracket Assembly |
| 6 | 532 06 64-26 | Wire, Tie | 58 | 532 05 78-08 | Screw |
| 7 | 532 13 19-59 | Bolt, Handle 5/16-18 x 1.75 | 59 | 532 18 45-43 | Pulley Assembly |
| 8 | 532 08 76-92 | Knob, Handle | 61 | 532 14 52-12 | Flange Nut |
| 9 | 532 18 28-10 | Control Bar | 62 | 532 15 55-52 | Locknut, Hex |
| 10 | 532 16 15-51 | Bolt, Carriage | 63 | 532 18 58-98 | Idler Arm |
| 11 | 873 99 05-00 | Nut, Hex, with Lockwasher Insert 5/16-18 UNC | 64 | 532 16 60-43 | Idler Pulley |
| 12 | 532 05 17-93 | Hairpin, Cotter | 65 | 532 16 08-29 | Shoulder Bolt |
| 13 | 532 18 21-54 | Throttle Control | 66 | 532 19 05-10 | Door, Mulcher |
| 14 | 532 18 33-65 | Screw, Hex Head 1/4-20 x 2 | 67 | 532 19 12-10 | Discharge Deflector |
| 15 | 532 75 11-52 | Nut, Hex 1/4-20 | 68 | 532 08 83-49 | Nut, Hex |
| 16 | 532 16 20-85 | Rear Door Assembly | 76 | 532 12 51-62 | Bracket, Upstop |
| 17 | 532 18 90-59 | Seal, Rear Door | 77 | 532 75 06-34 | Screw |
| 18 | 532 18 75-35 | Plug, Mulcher | 84 | 532 05 45-83 | Screw |
| 19 | 532 18 60-72 | Kit, Housing | 85 | 532 18 77-23 | Key, Hi-Pro |
| 20 | 532 16 45-48 | Handle, Bracket Assembly, LH | 86 | 532 18 49-41 | Pulley |
| 21 | 532 16 93-06 | Handle, Bracket Assembly, RH | 87 | 532 85 10-74 | Washer |
| 22 | 532 15 00-78 | Screw, Hex Washer Head | 88 | 532 85 02-63 | Washer, Lock |
| 23 | 532 16 31-83 | Bolt, Hex Head 5/16-18 x 5/8 | 89 | 532 18 45-90 | Blade Adapter |
| 24 | 873 80 05-00 | Locknut, Hex | 90 | 532 18 91-85 | Debris Shield |
| 25 | 532 16 13-33 | Baffle, Side | 91 | 532 18 22-27 | Screw, Machine #8 |
| 26 | 532 16 34-09 | Clamp, #12 x 5/8 | 92 | 532 18 82-44 | Belt Keeper |
| 27 | 532 11 11-90 | Clamp, Cable | 93 | 532 18 22-28 | Nut, Hex #8 |
| 28 | 532 08 38-16 | Screw, Cable Clamp | -- | 532 18 21-34 | Warning Decal (not shown) |
| 29 | 532 13 31-07 | Cable, Engine Zone Control | -- | 532 19 08-53 | Operator's Manual, European |
| 31 | 532 17 50-52 | Blade, 21" | | | |
| 34 | 532 85 10-84 | Bolt, Hex Head | | | |
| 37 | 532 15 04-06 | Bolt, Engine | | | |
| 38 | - - - | Engine, Briggs & Stratton, Model Number 123K02 (Order Parts From Engine Manufacturer) | | | |

NOTE: All component dimensions given in U.S. inches.
1 inch = 25.4 mm

ROTARY LAWN MOWER - MODEL NUMBER BL6053T (BL6053TF) PRODUCT NUMBER 964 77 25-00



ROTARY LAWN MOWER - MODEL NUMBER BL6053T (BL6053TF) PRODUCT NUMBER 964 77 25-00



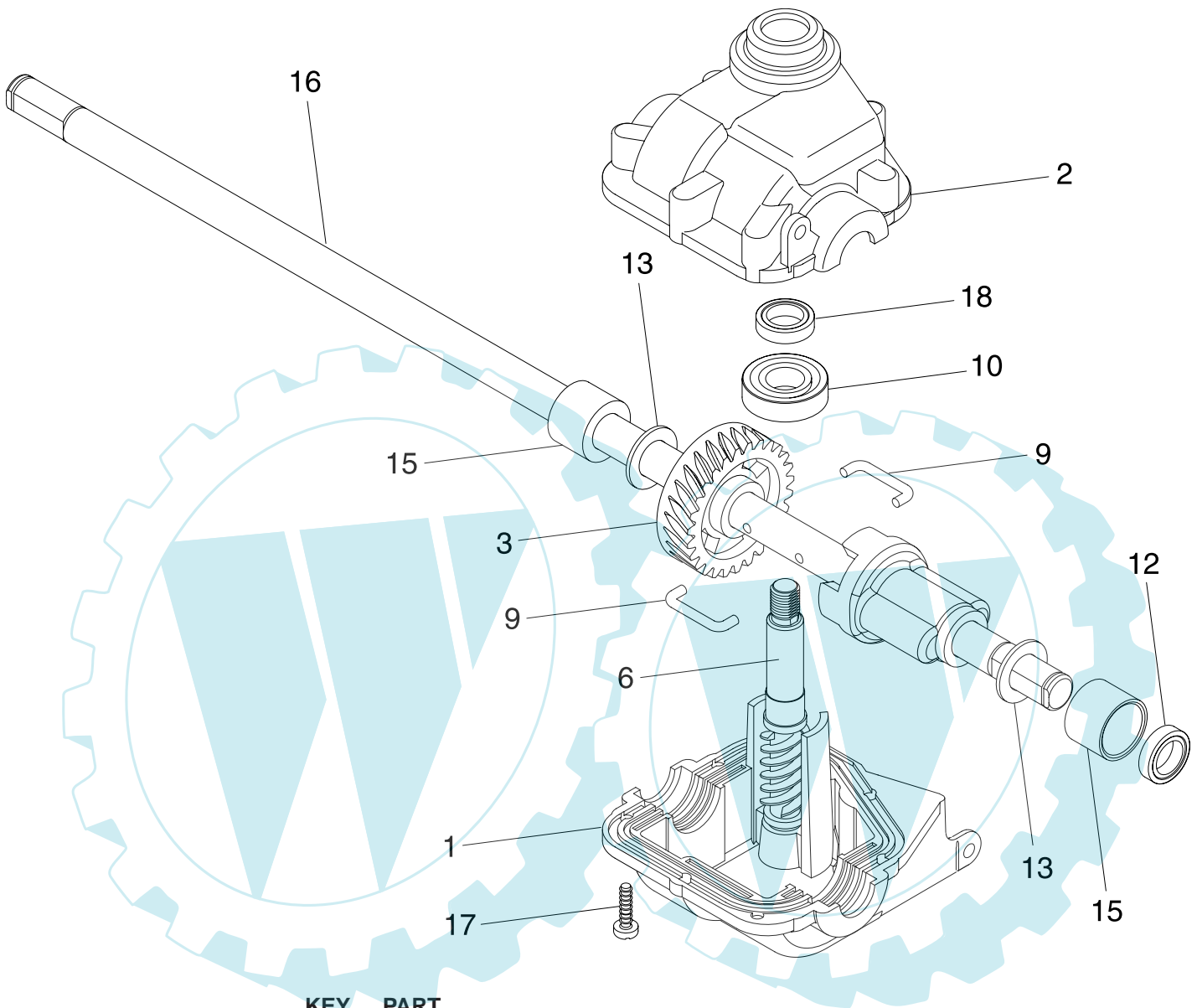
| KEY NO. | PART NO | DESCRIPTION | KEY NO. | PART NO | DESCRIPTION |
|---------|--------------|--|---------|--------------|-----------------------------|
| 1 | 532 18 91-81 | Drive Control Assembly, Vari-Speed, with Cable | 30 | 532 06 77-25 | Washer, Flat 1/2 |
| 2 | 532 19 09-99 | Control Bar, Drive | 31 | 532 18 81-52 | O-Ring |
| 3 | 532 75 11-52 | Nut, Hex | 32 | 532 18 07-53 | Wheel 9 x 2 |
| 4 | 532 18 56-81 | Screw | 34 | 532 15 01-82 | Hubcap |
| 5 | 532 19 10-01 | Cover Drive | 35 | 532 16 45-52 | Shaft Assembly, Rear |
| 6 | 532 75 06-34 | Screw, Threaded, Rolled #10-25 x .50 | 36 | 532 16 45-50 | Shaft Assembly, Front |
| 7 | 532 18 22-12 | V-Belt | 37 | 532 16 14-63 | Retainer, Front Shaft |
| 8 | 532 13 20-10 | Nut, Flangelock 3/8-16 Zinc Plated | 38 | 532 16 34-09 | Screw #12 x 5/8 |
| 9 | 532 18 94-08 | Pulley, Drive | 39 | 532 70 02-79 | Clip, Retainer |
| 11 | 532 18 76-53 | Screw | 40 | 532 14 35-93 | Wheel 8 x 2 |
| 13 | 532 18 72-13 | Gearcase Assembly (See Breakdown) | 41 | 532 08 83-48 | Washer, Flat 3/8 |
| 14 | 532 14 53-54 | Pin, Spring, Thrust | 42 | 532 08 39-23 | Nut, Hex, Flangelock 3/8-16 |
| 15 | 532 05 70-79 | Washer, Hardened | 43 | 819 57 22-16 | Washer |
| 16 | 532 16 15-84 | Rod, Connecting | 49 | 532 17 51-03 | Pinion, Gear |
| 17 | 532 16 16-02 | Spring, Extension | 50 | 532 17 51-02 | Retainer, Drive, RH |
| 18 | 532 16 45-54 | Spring, Selector | 51 | 532 17 50-98 | Pawl |
| 19 | 532 19 00-69 | Knob, Selector Spring | 52 | 532 18 82-91 | Spring, Torsion |
| 20 | 812 00 00-22 | E-Ring 7/8 | 53 | 532 17 51-04 | Disc, Drive |
| 21 | 532 16 33-65 | Bearing Support | 54 | 532 17 51-01 | Seal, Friction |
| 22 | 532 16 99-11 | Bearing, Ball | 55 | 532 18 82-93 | Pinion Assembly, RH |
| 23 | 532 16 45-55 | Retainer, Drive Assembly, Stamped | 56 | 532 18 82-92 | Pinion Assembly, LH |
| 24 | 532 05 78-08 | Screw, Hex Head, Tapping 1/4-20 x .75 | 58 | 532 17 51-05 | Retainer, Drive, LH |
| 27 | 532 05 21-60 | Washer, Shim (as required) | | | |
| 28 | 812 00 00-58 | E-Ring 7/16 | | | |
| 29 | 532 18 05-04 | Cover, Dust, Wheel | | | |

NOTE: All component dimensions given in U.S. inches.
1 inch = 25.4 mm

ROTARY LAWN MOWER- -MODEL NUMBER BL6053T (BL6053TF)

PRODUCT NUMBER 964 77 25-00

GEAR CASE ASSEMBLY - PART NUMBER 532 18 72-13



| KEY NO. | PART NO. | DESCRIPTION |
|---------|--------------|--------------------|
| 1 | 532 18 75-30 | Case, Lower |
| 2 | 532 18 75-31 | Case, Upper |
| 3 | 532 18 75-32 | Gear, 24 Teeth |
| 6 | 532 18 75-33 | Shaft, Input |
| 9 | 532 18 35-05 | Wire, Formed |
| 10 | 532 18 35-06 | Bearing, Ball |
| 12 | 532 18 35-08 | Seal, Output Shaft |
| 13 | 532 18 35-09 | Washer |
| 15 | 532 18 35-11 | Bushing |
| 16 | 532 18 75-34 | Shaft, Output |
| 17 | 532 18 35-13 | Screw |
| 18 | 532 18 35-14 | Seal, Input Shaft |

NOTE: Use Dow Corning #709 to reseal Gear Case Halves.

NOTE: All component dimensions given in U.S. inches.
1 inch = 25.4 mm